

R900 Wall MIU Direct Mount Kit

Installation Instructions
Effective April 2000

1 Safety and Preliminary Checks

Please refer to the *R900 Wall MIU Quick Install Guide*.

2 Site Selection

This kit is designed to mount the R900 Wall MIU directly on the register for indoor installations or above ground applications.

Warning: Do not install in pit settings or any other place where the meter may be submerged.

This kit is designed to be mounted on ProRead® and ARB® V registers produced during 1995 and later.

3 Verifying/Preparing the Encoder

Before installing an MIU, the encoder register must be correctly programmed to work with it.

Note: When a ProRead encoder register is used, it must be programmed for three-wire mode, using the RF/MIU 6, 8, or 10 ID TDI format.

To connect the wire, refer to the steps below:

- 1 Connect the 3 conductor wire to the encoder register's terminals.
Black wire to the register B terminal, Green wire to the register G terminal, and Red wire to the register R terminal.
- 2 Thread the cable around the strain relief posts of the encoder.
- 3 If installed outdoors, apply a moisture protection compound to the terminal screws and exposed wires.
Schlumberger recommends Dow Corning® #4 or GE® NovaGard.
- 4 Snap the cover onto the encoder register.
- 5 Proceed to the next section entitled "Installing the Adapter".

4 Installing the Adapter

- 1 Insert the register into the top of the adapter as shown in Figure 1.

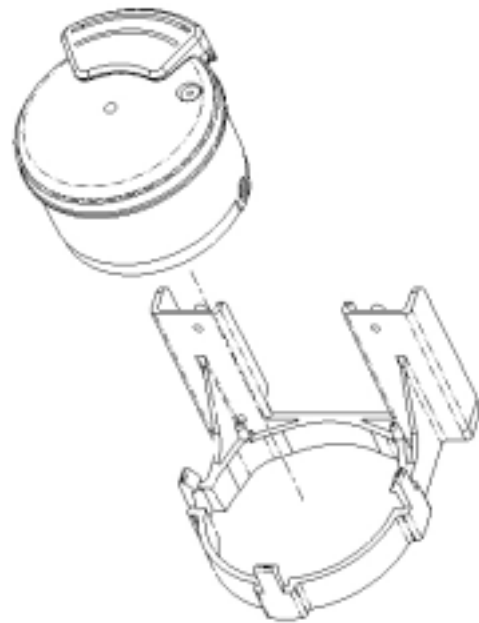


Figure 1 Inserting the Register

Make sure the register's cover is between the two ports.

- 2 Push the register all the way through so that the 3 clips on the adapter snap over the clear register lens as shown in Figure 2.

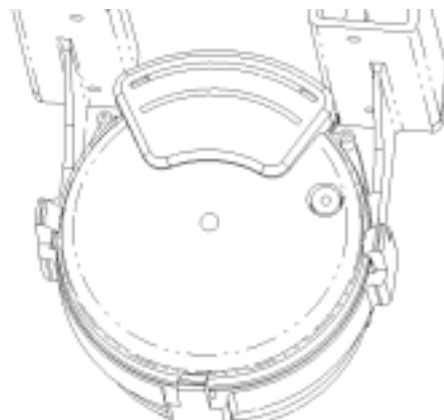


Figure 2 Securing the Register in the Adapter

5 Installing the MIU

- 1 On the R900, remove the main housing from the mounting bracket by gently releasing the plastic clip.

When the clip clears the plastic tab on the mounting adapter, pull the main housing away from the mounting bracket.

- 2 Insert the wire in the mounting adapter as shown in Figure 3.
- 3 Mount the adapter with the Up Arrow pointing in the upward direction.
- 4 Tighten the 4 screws without over-tightening them.
- 5 Wrap the cable around the strain relief posts and through the cable exit notch in the top of the mounting adapter as shown in Figure 3.



Figure 3 Routing the Cable

- 6 Install the main housing onto the mounting adapter.
- 7 Connect each wire to its proper MIU terminal screw, as shown in Figure 4.

Black wire to the MIU B terminal, Green wire to the MIU G terminal, and Red wire to the MIU R terminal.

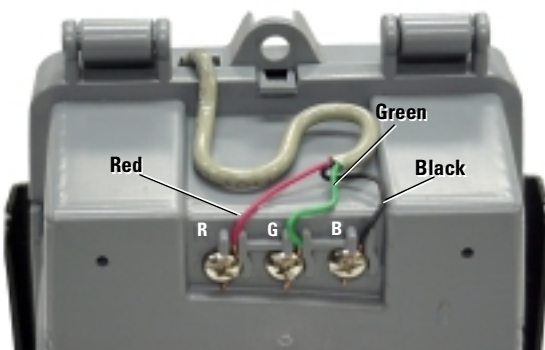


Figure 4 MIU Wire Connections

- 8 Proceed to the next section entitled, "Testing the Installation" before completing the installation.

6 Testing the Installation

Please refer to the *R900 Wall MIU Quick Install Guide*.

7 Completing the Installation

- 1 Install the housing fastener screw that holds the main housing to the adapter.
- 2 If installed outdoors, apply moisture protection to the terminal screws and exposed wires at the MIU.

Schlumberger recommends Dow Corning #4 or GE NovaGard.

- 3 Install the terminal cover.

Verify that it is seated properly and that the cable is in the notch at the top of the terminal cover.

- 4 Install the tamper pin into the terminal screw cover.
- 5 Install a seal wire or seal clip through the seal holes.
- 6 Read the MIU one more time before leaving the site.

Figure 5 shows the completed installation of the R900 Wall MIU Direct Mount Kit.



Figure 5 Completed Installation

Schlumberger Resource Management Services, Inc.
1600 Alabama Highway 229
Tallahassee, AL 36078
Tel : 334-283-6555
Fax : 334-283-7292

Internet: www.slb.com/rms

Part # 12412-001
SY-0153-GB-4.00

Schlumberger Resource Management Services, Inc.
5430 Metric Place
Norcross, GA 30092-2550
Tel : 770-446-1991
Fax : 770-263-8104

Ti-SALES INC.

36 HUDSON ROAD
SUDBURY, MA 01776
978/443-2002

The Supply House That Knows How To Help

Schlumberger